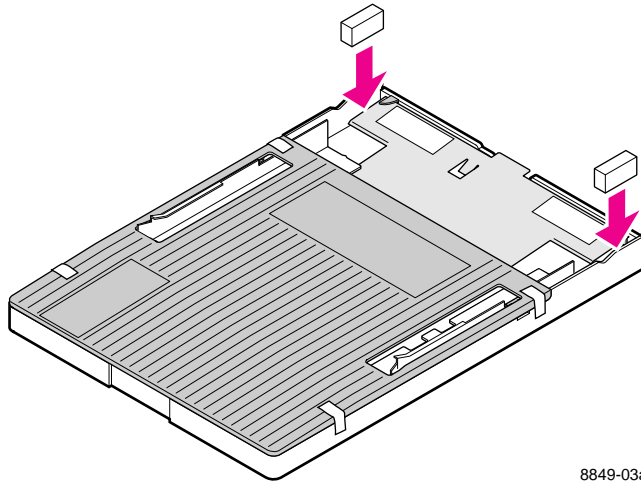


Repacking your printer

1. Turn off the printer; remove all cords and cables.
2. Slide the cover release to open the top cover.

Caution *To keep your warranty valid, you must ship the printer in its Tektronix shipping box, taking reasonable care to repack it properly. Failure to do so will result in damage to the printer. Call Tektronix if you need a replacement box. Also, if you are returning the printer for service, call Tektronix for a return authorization number.*

3. Remove the paper tray and repack it for shipping:
 - a. Insert the two small foam shipping blocks into the paper tray on either side of the metal plate.

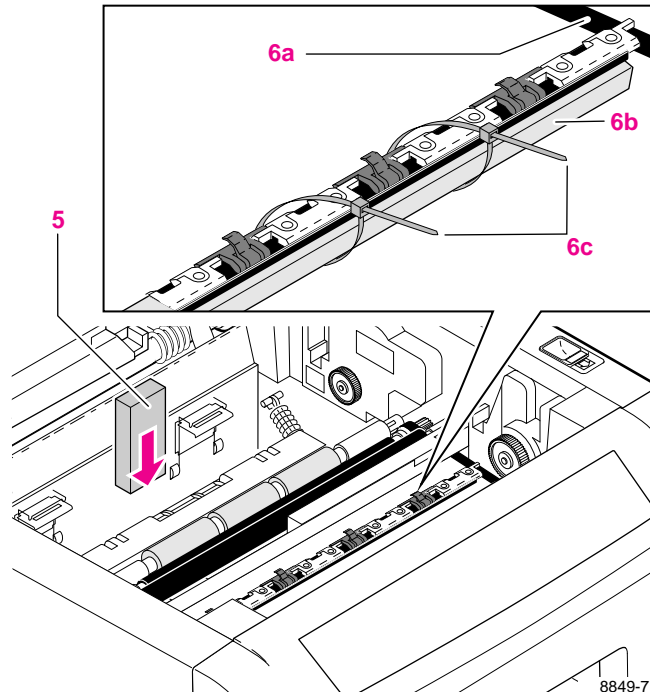


8849-03a

- b. Secure the cover to the paper tray. Use masking tape.

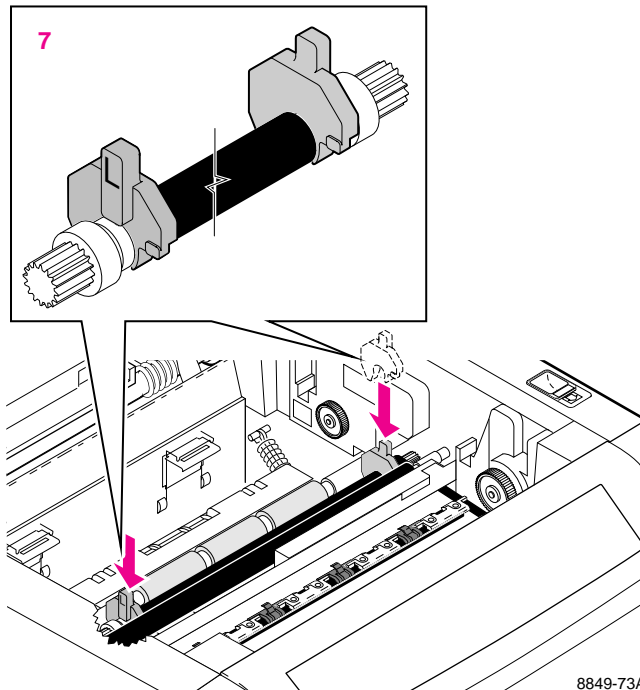
Note *If you are shipping the printer for service, you do not need to return the paper tray.*

4. Remove the transfer roll tray; remove the transfer roll from the tray and wrap the tray in packing material.
5. Insert the medium-sized foam shipping block inside the printer behind the paper guide.
6. Attach the long foam shipping block to the paper clamp bar:
 - a. Use the black rubber belt to move the paper clamp bar so that it is positioned directly over the label **Position paper clamp bar HERE to clear a paper jam**.
 - b. Insert the shipping block under the paper clamp bar.
 - c. Use the two tie-wraps to secure the block to the paper clamp bar. Attach them on the righthand side where there is open space beneath the paper clamp bar. Make sure that they are tightly secured.



7. Place the two rubber cushions, marked **L** (left) and **R** (right), onto the metal bar on either side of the platen. Make sure that the rubber cushions are positioned with the posts *upright* (or *leaning slightly forward*) and *facing outward* as shown.

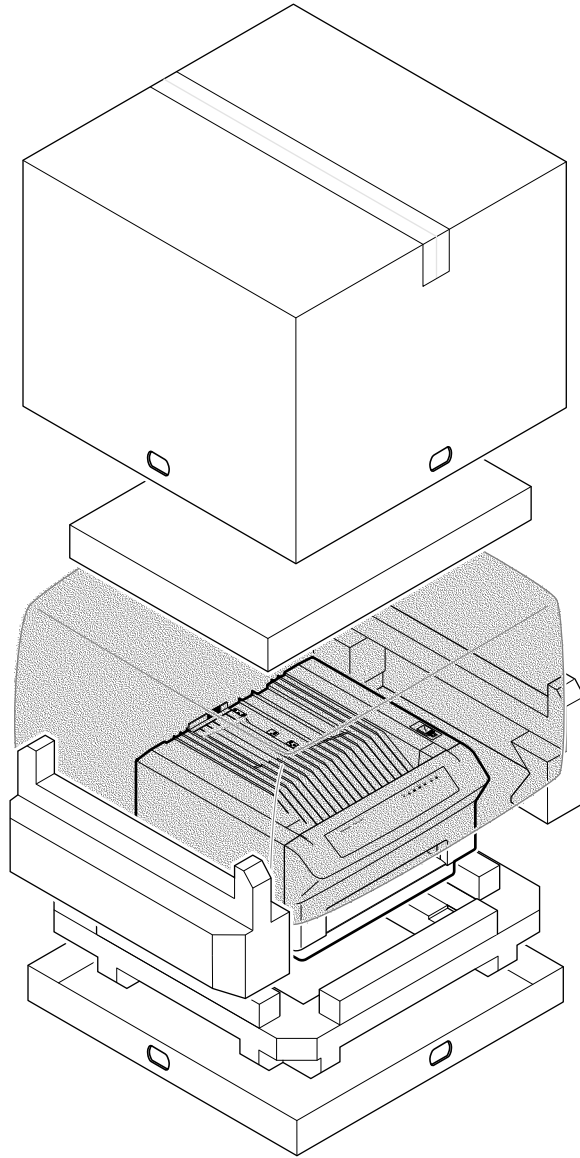
Caution *The rubber cushions protect the thermal head. If they are positioned incorrectly, the thermal head will be damaged in shipping.*



8849-73A

8. Replace the transfer roll tray inside the printer.
9. Close the top cover; the thermal head must be resting on the rubber cushions.
10. Secure the top cover closed. Use masking tape.

11. Repack the printer in the Tektronix shipping box. Keep the printer level when moving.



8849-50